

APRIL 17, 2020

SCALE 3/8" = 1'-0" ON LETTER SIZE PAPER

L44 = 48.10' PER SURVEY

HOUSE SEWER CONNECTION

ACCESS HATCH IS METAL GRILL 22" WIDE X 24" L. FOR 15 CFM RETURN AIR

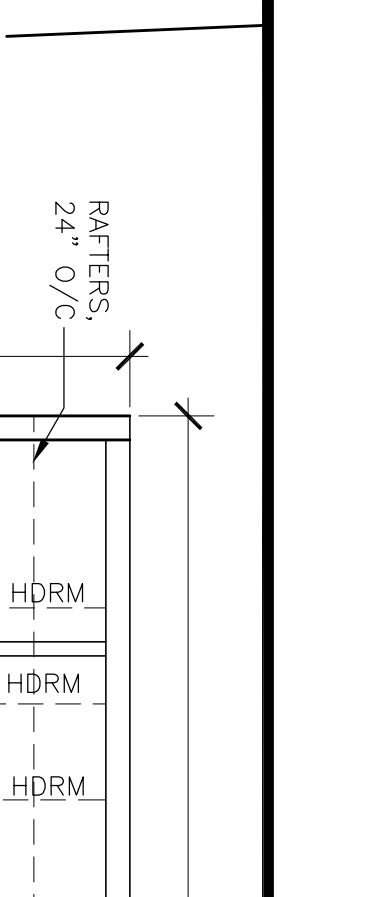
DATE: JUNE 1, 2020

SCALE: 1/4" = 1'-0"

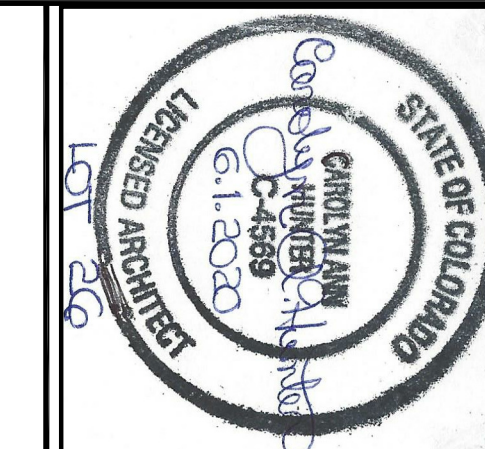
Drawn By: Corolyn Hunter

DATE: JUNE 1, 2020

1-1



Context Architecture, Inc.
 Carolyn A. Hunter, AIA
 970-247-9082
 1911 Main Ave., Ste 202 Durango, Colorado 81301



Tyler & Emma Porter-Shaffrick
New Home for Lot 26
Anvil Mtn Subdivision, Silverton

DATE: JUNE 1, 2020
 SCALE: 1/4" = 1'-0"
 Drawn By: Corolyn Hunter

SUPERSEDES ALL DRAWINGS BEARING PREVIOUS REVISION NUMBER OR DATE

SHEET: A-1

